

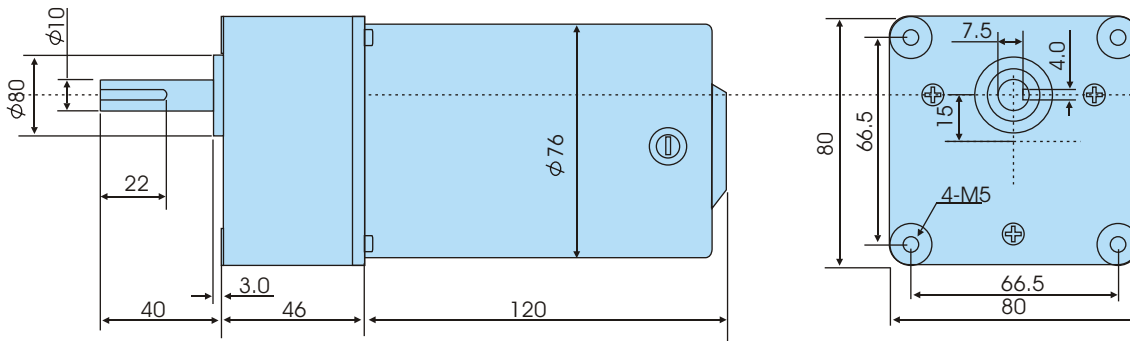
## EZYT76 Series

OUTPUT POWER: 50~80W(APPROX)

WEIGHT: 2.2~2.5Kg(APPROX)

Typical applications: Automat, electrical controlled valve, garbage disposers, printers, medical equipment, cleaning machine.

### APPEARANCE SIZE



### GEARED MOTOR TORQUE/SPEED/CURRENT

Geared motor name	Rated Volt V	No load		Load torque				At maximum efficiency		Output power w
		Current	Speed	Current	Speed	Torque		Kgf · cm	N · m	
		mA	r/min	A	r/min	Kgf · cm	N · m			
EZYT76-12V-50W-53R	12	≤800	53	≤7.0	40	120	11.8	400	39.2	50
EZYT76-24V-50W-53R	24	≤400	53	≤3.5	40	120	11.8	400	39.2	50
EZYT76-90V-50W-53R	90	≤100	53	≤0.9	40	120	11.8	400	39.2	50
EZYT76-220V-50W-53R	220	≤50	53	≤0.4	40	120	11.8	400	39.2	50
EZYT76-12V-50W-134R	12	≤800	134	≤7.0	100	50	4.9	150	14.7	50
EZYT76-24V-50W-134R	24	≤400	134	≤3.5	100	50	4.9	150	14.7	50
EZYT76-90V-50W-134R	90	≤100	134	≤0.9	100	50	4.9	150	14.7	50
EZYT76-220V-50W-134R	220	≤50	134	≤0.4	100	50	4.9	150	14.7	50
EZYT76-12V-80W-75R	12	≤900	75	≤12	60	140	13.7	500	49	80
EZYT76-24V-80W-75R	24	≤500	75	≤6.0	60	140	13.7	500	49	80
EZYT76-90V-80W-75R	90	≤120	75	≤1.6	60	140	13.7	500	49	80
EZYT76-220V-80W-75R	220	≤50	75	≤0.7	60	140	13.7	500	49	80
EZYT76-12V-80W-175R	12	≤900	175	≤12	140	60	5.88	200	19.6	80
EZYT76-24V-80W-175R	24	≤500	175	≤6.0	140	60	5.88	200	19.6	80
EZYT76-90V-80W-175R	90	≤120	175	≤1.6	140	60	5.88	200	19.6	80
EZYT76-220V-80W-175R	220	≤50	175	≤0.7	140	60	5.88	200	19.6	80
Note	Voltage can make as customers' request									
Packing details	CTN size: 55X35XH18CM      6pcs /CTN N.W. 16Kgs									