



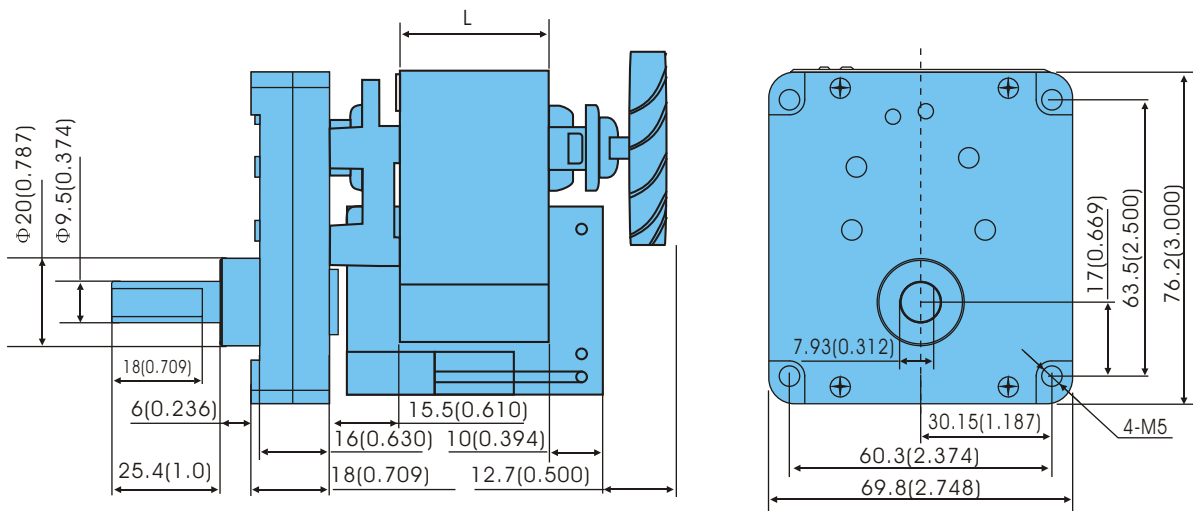
EVF-YJ61 Series SHADE POLE MOTOR

OUTPUT POWER: 1.0~10W(APPROX)

WEIGHT:500~700g(APPROX)

Typical applications: Pan/Tilt camera, auto shutter, welding machines, water meter IC card, grill, oven, cleaning machine, garbage disposers, household appliances, slot machines, money detector, automatic actuator, coffee machine, towel disposal, lighting, coin refund devices, peristaltic pump.

APPEARANCE SIZE



Wire length:500mm
Wire tech. Spec.: UL AWM
1015 VW-1 105°C 600V 18AWG

GEARED MOTOR TORQUE/SPEED

Reductionratio	$\frac{1}{37}$	$\frac{1}{67}$	$\frac{1}{95}$	$\frac{1}{139}$	$\frac{1}{155}$	$\frac{1}{196}$	$\frac{1}{219}$	$\frac{1}{277}$	$\frac{1}{418}$	$\frac{1}{493}$	$\frac{1}{623}$	$\frac{1}{883}$
Numberofgeartrans	3			4					5			
Ratedspeed(rpm)at60Hz	73	40	28.4	19.4	17.4	13.8	12.3	9.8	6.5	5.5	4.3	3.1
EVF-YJ61-10 L=10.5 (Kgf·cm) Rated torque	1.62	2.93	4.16	5.50	6.14	7.76	8.67	11.0	14.8	17.5	22.1	31.3
EVF-YJ61-12 L=12 (Kgf·cm) Rated torque	2.16	3.91	5.55	7.34	8.18	10.3	11.6	14.6	19.7	23.3	29.4	41.7
EVF-YJ61-14 L=14.5 (Kgf·cm) Rated torque	2.70	4.89	6.94	9.17	10.2	12.9	14.5	18.3	24.7	29.1	36.8	52.1
EVF-YJ61-16 L=16.5 (Kgf·cm) Rated torque	3.78	6.85	9.71	12.8	14.3	18.1	20.2	25.6	34.5	40.7	51.5	72.9
EVF-YJ61-20 L=20.5 (Kgf·cm) Rated torque	4.86	8.80	12.5	16.5	18.4	23.3	26.0	32.9	44.4	52.4	66.2	80.0
EVF-YJ61-25 L=25.5 (Kgf·cm) Rated torque	5.94	10.8	15.3	20.2	22.5	28.5	31.8	40.2	54.3	64.0	80.0	80.0
EVF-YJ61-30 L=30.5 (Kgf·cm) Rated torque	7.56	13.7	19.4	25.7	28.6	36.2	40.5	51.2	69.1	80.0	80.0	80.0
EVF-YJ61-35 L=35.5 (Kgf·cm) Rated torque	9.45	17.1	24.3	32.1	35.8	45.3	50.6	64.0	80.0	80.0	80.0	80.0
EVF-YJ61-40 L=40 (Kgf·cm) Rated torque	10.8	19.6	27.7	36.7	40.9	51.7	57.8	73.1	80.0	80.0	80.0	80.0
Note	Voltage can make as customers' request											
Packing Details	CTN size:55X35XH18CM 24pcs/CTN N.W. 16Kgs											